

SPEEDROTER 91

Parts List and Diagrams

CATALOG NO.	DESCRIPTION	CATALOG NO.	DESCRIPTION
S91-100	Frame Complete	S91-120	Front Bearing Assembly
S91-101	Frame Only with Axle	S91-120-A	Front Bearing Knob
S91-101-A	Handle Support Knob (2)	S91-120-D	Bolts, Nuts and Washers (2)
S91-101-B	Motor Support Bolt,Nut & Washer	S91-130	Rear Drum Shaft Clamp
S91-101-C	Cord Wrap Cap (2)	S91-130-A	Drum Clamp Knob
S91-103	Stair Climber with Belt (1)	S91-130-D	Mounting Bolts and Washers (2)
S91-103-A	Nuts, Bolts & Washers (2)		
S91-103-B	Spacers (2)	S91-400	Small Drum Complete with Shaft and Distributor Tube (15")
S91-107	Plated Handle Assembly	S91-402	Drum Shell
S91-107-A	Handle - Left	S91-404	Drum Hub with Bearings
S91-107-B	Handle - Right	S91-404-A	Bushings (2)
S91-107-C	6" Handle Wheel	S91-405	Nuts, Bolts & Washers (5)
S91-107-D	Axle for Handle Wheel	S91-407	Shaft Washer
S91-107-E	Bushings (2)	S91-410	Drum Connecting Cable (for 1/2" cables)
S91-107-F	Felt Washers (2)	S91-410-A	Nut, Bolt, & Washer
S91-107-G	Bolts and Nuts (2)	S91-420	Small Drum Distributor Tube Assembly
S91-107-H	Set Screws (2)	S91-421	Distributor Tube Only
S91-108	Brake Rod	S91-422	Bushing
S91-108-A	Roll Pin	S91-423	Retaining Ring
S91-109	Brake Rod Handle with Knob	S91-424	Thrust Bearing Race
S91-109-A	Knob for Brake Rod	S91-425	Distributor Tube Retaining Bolt
S91-109-B	Roll Pin	S91-430	Drum Shaft
S91-109-C	Brake Rod Latch with Screws	S91-440	Inner Drum Cage
S91-110	10" Wheel with Retaining Cap (1)	S91-440-A	Bushing
S91-111	Wheel Retaining Cap (2)		
S91-112	Wheel Spacer Washers (2)		
S91-115	Axle		
S91-116	Motor Support Spring		
S91-118	Motor Support Platform		
S90-118-C	Nuts, Bolts, and Washers (4)		

General Wire Spring Co.

1101 Thompson Avenue

412/771-6300

McKees Rocks, PA 15136 U.S.A.

SPEEDROOTER 91 Parts List and Diagrams

CAT. NO.	DESCRIPTION	CAT. NO.	DESCRIPTION
S91-450	Large Drum Complete with Shaft & Distributor Tube (18")	SPEEDROOTER 91 POWER FEED	
S91-452	Drum Shell	S91-7000	Power Cable Feed Assembly
S91-454	Drum Hub Bearings (2)	S91-7101	Feed Body
S91-455	Bearing Spring	S91-7101-A	Lifting Spring
S91-460	Drum Connecting Cable (for 5/8" and 3/4" cables)	S91-7101-B	Guide Pins (2)
S91-460-A	Nut, Bolt, & Washer	S91-7102	Mounting Stud
S91-470	Drum Distributor Tube Assembly	S91-7103	Mounting Knob
S91-471	Distributor Tube Only	S91-7104	Spout and Retaining Cover
S91-472	Bushing	S91-7105	Steel Washer
S91-473	Retaining Ring	S91-7200	Top Roller Assembly
S91-474	Thrust Bearing Race	S91-7210	Top Carrier Only
S91-475	Distributor Tube Retaining Knob with Bearing Assembly	S91-7220	Swing Pin
S91-475-A	Bearing Assembly for Retaining Knob	S91-7225	Feed Roller Shaft
S91-480	Drum Shaft	S91-7250	Feed Roller with Bearing
S91-481	Wear Washer	S91-7301	Feed Pressure Knob
S91-482	Spacer Collar with Set Screw	S91-7301-A	Limiting Nut
S91-490	Inner Drum Cage	S91-7315	Pressure Spring
S91-490-A	Bushing	S91-7330	Ball Bearing
S91-600	1/2 hp Motor Comp. with Air Foot Switch, Reverse Switch, & GFI	S91-7331	Ball Bearing Holder
S91-600-3/4	3/4 hp Motor Comp. with Air Foot Switch, Reverse Switch, & GFI	S91-7340	Top Cover
S91-601	V-Belt (64")	S91-7341	Cover Screws and Washers (3)
S91-602	V-Belt Pulley	S91-7400	Bottom Roller Assembly
S91-602-1	Slip Clutch (Optional)	S91-7410	Bottom Carrier Only
S91-603	Knob for Mounting Stud	S91-7420	Swing Pin
S91-604	20 ft. Power Cord with Ground Fault Interrupter	S91-7425	Bottom Roller Shaft
S91-605	Air Foot Switch and Reverse Switch Assembly	S91-7450	Bottom Roller with Bearing
S91-605-A	Box Only with Cover & Screws	S91-7530	Thrust Bearing
S91-605-B	Foot Pedal and Hose	S91-7540	Cable Adjustment Plate
S91-605-C	Cable Tie	S91-7541	Plate Screws and Washers (3)
S91-605-E	Power Switch Diaphragm	S91-7601	Feed Control Disc with Lever and Knob
S91-605-G	Reverse Switch - 3-Way	S91-7601-A	Lever and Knob
S91-605-H	Rubber Boot (Rental)	S91-7635	Wave Washer
S91-605-J	Barbed Adapter	S91-7703	Set of Feed Rollers (3)
S91-605-N	Strain Relief Nut	S91-TB	Tool Box
S91-609-1/2	Belt Guard (1/2 hp) with Slot	S91-GT	Guide Tube for Speedroter 90
S91-609-3/4	Belt Guard (3/4 hp) with Slot	GTE	Guide Tube Extension
S91-614	Small Drum V-Belt (57")	S91-DECAL	Set of Safety Decals

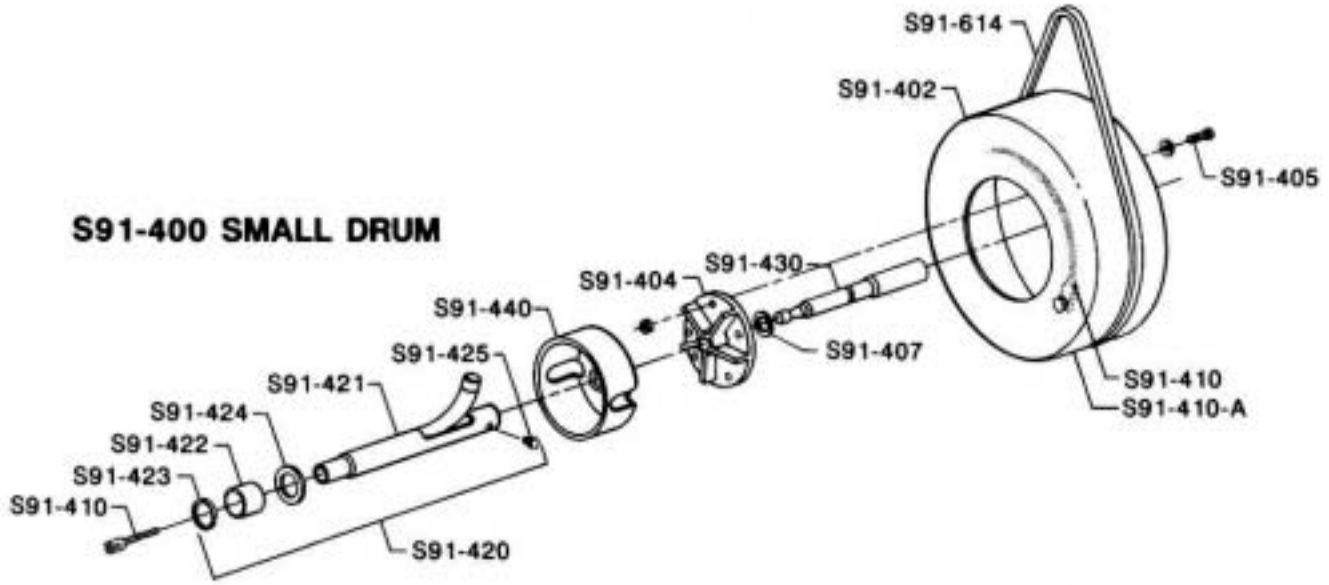
General Wire Spring Co.

1101 Thompson Avenue

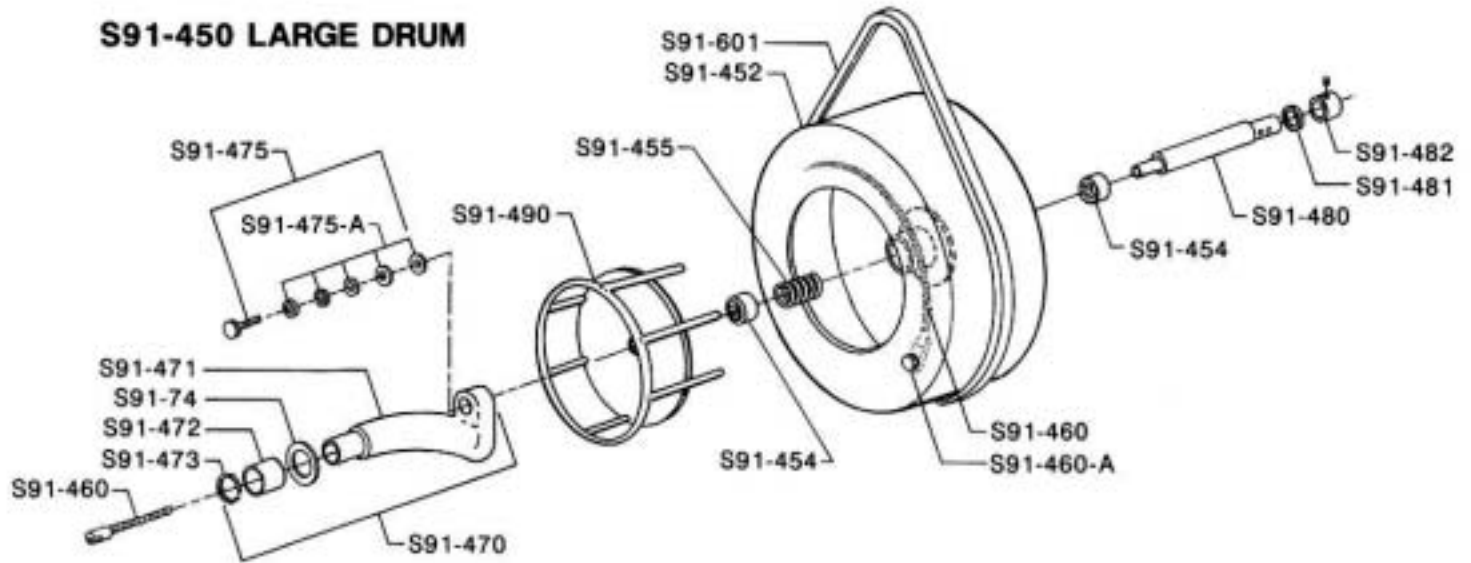
412/771-6300

McKees Rocks, PA 15136 U.S.A.

S91-400 SMALL DRUM



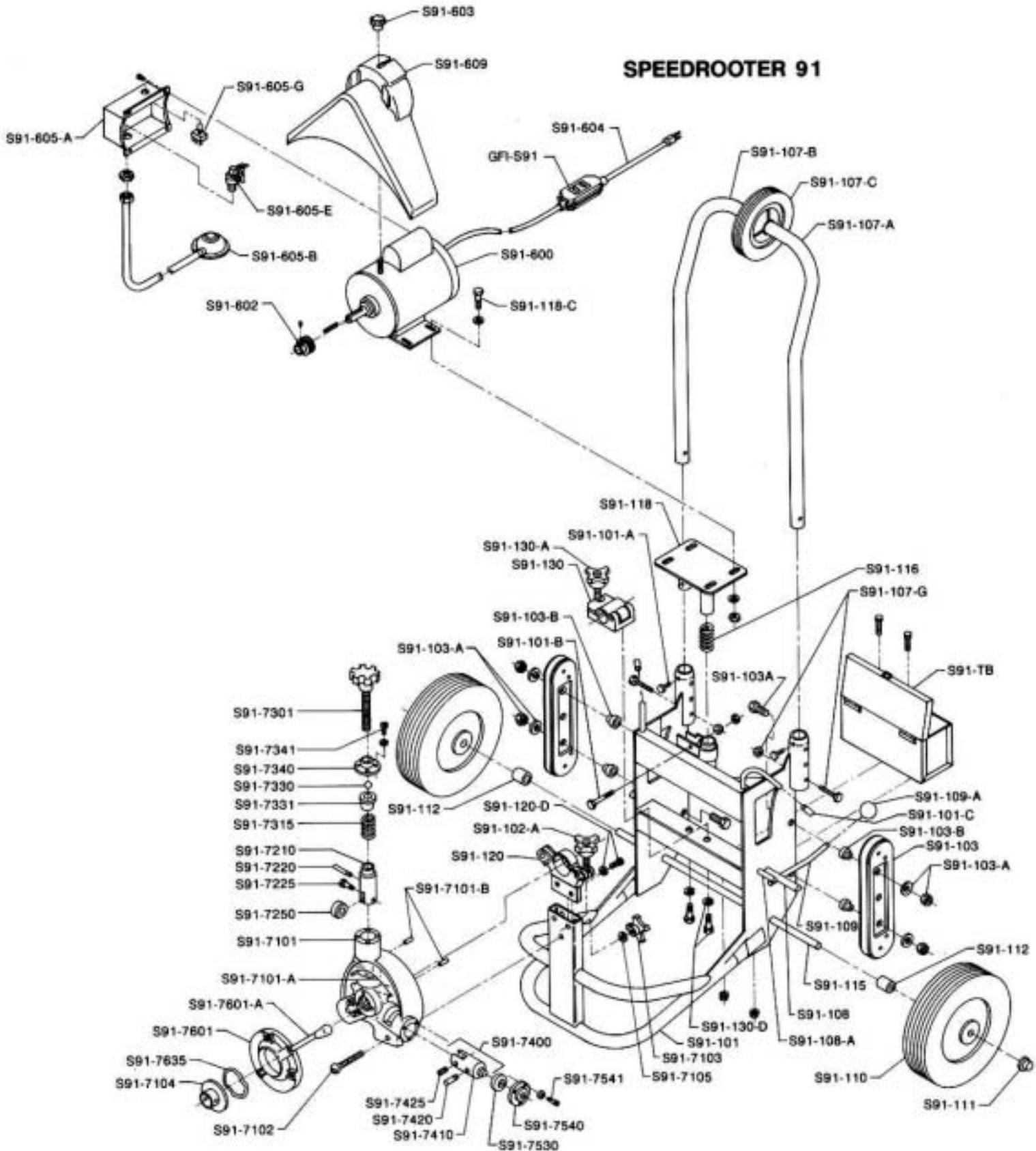
S91-450 LARGE DRUM



IMPORTANT: When ordering,

SPEEDROOTER 91

SCHEMATIC DIAGRAM



give Serial Number of Machine.