

# HANDYLECTRIC

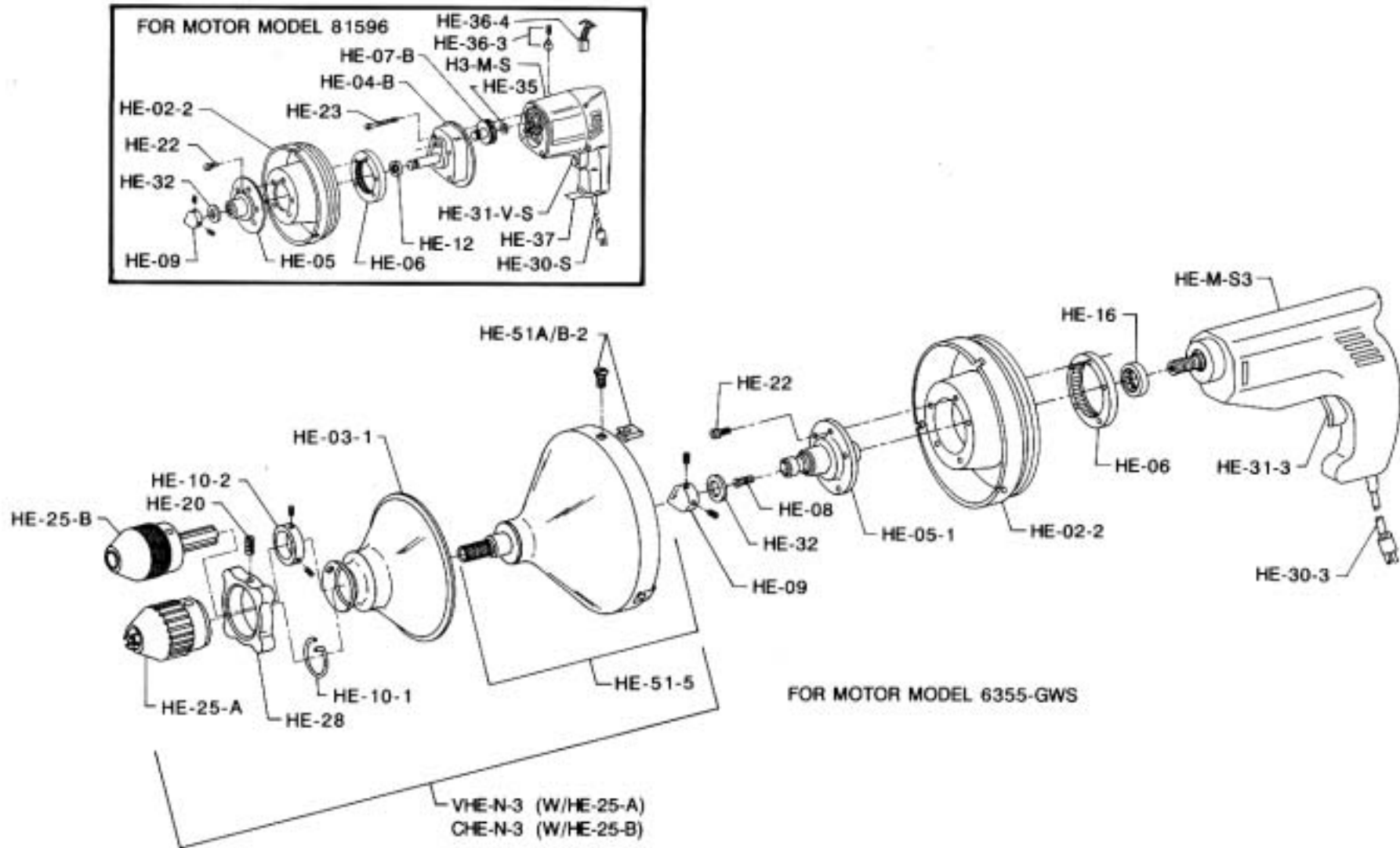
## Parts List and Diagrams

CAT. NO.	DESCRIPTION	CAT. NO.	DESCRIPTION
HE-M-S	Skil Variable Speed Motor #81596	HE-21	Sheet Metal Screws (6 per set)
HE-M-S3	Skil Variable Speed Motor #6355-GWS	HE-22	Machine Screws w/Lock Washers (5)
V-HE-N-3	Complete Front Assembly for Jacobs Chuck	HE-23	Fillister Head Screws (4 per set)
C-HE-N-3	Complete Front Assembly for Collet Chuck	HE-25-A	Jacobs Chuck
HE-51-1	Container Front with Thumb Nuts for Jacobs Chuck (Includes HE-51-A/B-1)	HE-25-B	Collet Chuck
HE-51-2	Container Front with Thumb Nuts for Collet Chuck (Includes HE-51-A/B-1)	* HE-25-28-A	Jacobs Chuck & Handle Assembly (Includes HE-25-A & HE-28)
HE-51-4	Container Front with Flat Head Screws for Collet Chuck (Includes HE-51-A/B-2)	HE-25-28-B	Collet Chuck & Handle Assembly (Includes HE-25-B & HE-28)
* HE-51-5	Container Front with Flat Head Screws for Jacobs Chuck (HE-51-3) (Inc. HE-51-A/B-2)	HE-26	Reverse Switch for Black & Decker Motors
HE-51-A/B-1	Thumb Nuts & Long Studs with hex nuts (3 per set) (Use with HE-51-1 & HE-51-2)	HE-28	Chuck Tightening Handle for Jacobs Chuck (Includes HE-20)
HE-51-A/B-2	"U" Nuts & Flat Head Screws (3 per set) (Use with HE-51-4 & HE-51-5)	HE-28-1	Chuck Tightening Handle for Collet Chuck
HE-02-1	Container Back (Units to Serial #85358) <b>Discontinued</b>	HE-29	Chuck Jaws (Jacobs) <b>Discontinued</b>
HE-02-2	Container Back (Serial #85359 & Over)	HE-30-B	3-Wire Cord Set for Black & Decker Motors
HE-03	Metal Grip Shield <b>Discontinued</b> (Replace w/ HE-03-1 & HE-10-2)	HE-30-S	2-Wire Cord Set for Skil Motor #81596
* HE-03-1	Plastic Grip Shield	HE-30-3	2-Wire Cord Set for Skil Motor #6355-GWS
HE-04-A	Gear Case Body (For Black & Decker Motors)	HE-31-V-B	Trigger Switch Assembly for Black & Decker Motors (Orange Button)
HE-04-B	Gear Case Body for Skil Motor #81596	HE-31-V-S	Trigger Switch Assembly for Skil Motor #81596
HE-05	Gear Case Cap for Skil Motor #81596	HE-31-3	Trigger Switch Assembly for Skil Motor #6355-GWS
HE-05-1	Gear Case Cap for Direct Drive Unit	HE-32	Felt Washer
HE-06	Internal Ring Gear	HE-33-2	Armature for Skil Motor #81596
HE-07-A	Pinion and Spindle Gear Assembly (For Black & Decker Motors)	HE-33-3	Armature for Skil Motor #6355-GWS
HE-07-B	Pinion and Spindle Gear Assembly (For Skil Motor, Model #81596)	HE-34-2	Field for Skil Motor #81596
HE-08	Screw for Direct Drive Unit	HE-34-3	Field for Skil Motor #6355-GWS
HE-09	Beveled Collar with 2 Set Screws	HE-35	Spacer Washer
* HE-10-1	Lock Ring (For Jacobs Chuck)	HE-36-1	Brush Spring & Brush (2) Black & Decker (Round)
HE-10-2	Collar with 2 safety set screws (For Collet Chuck)	HE-36-2	Brush Spring & Brush (2) Black & Decker (Square)
HE-12	Spacer Washer	HE-36-3	Brush Spring & Brush (2) for Skil Motor #81596, Type 2
HE-16	Thrust Bearing for Motor #6355-GWS	HE-36-4	Integral Brush, Spring & Connector (2) for Skil Motor #81596, Type 3
		HE-36-5	Brush & Holder Set for Skil Motor #6355-GWS
		HE-37	Left and Right Handle Cover Set for Skil Motor #81596
		HE-37-3	Left and Right Handle Cover Set for Skil Motor #6355-GWS
		HE-38	Motor Housing for Skil Motor #81596
		HE-39-3	Holder for Brush & Spring for Skil Motor #81596, Type 3
		HE-DECAL	Set of Safety Decals
		MCC	Carrying Case

\* Part Number V-HE-N-3 includes all \* parts.

### General Wire Spring Co.

# HANDYLECTRIC SCHEMATIC DIAGRAM



**IMPORTANT: When ordering, give Serial Number of Machine.**