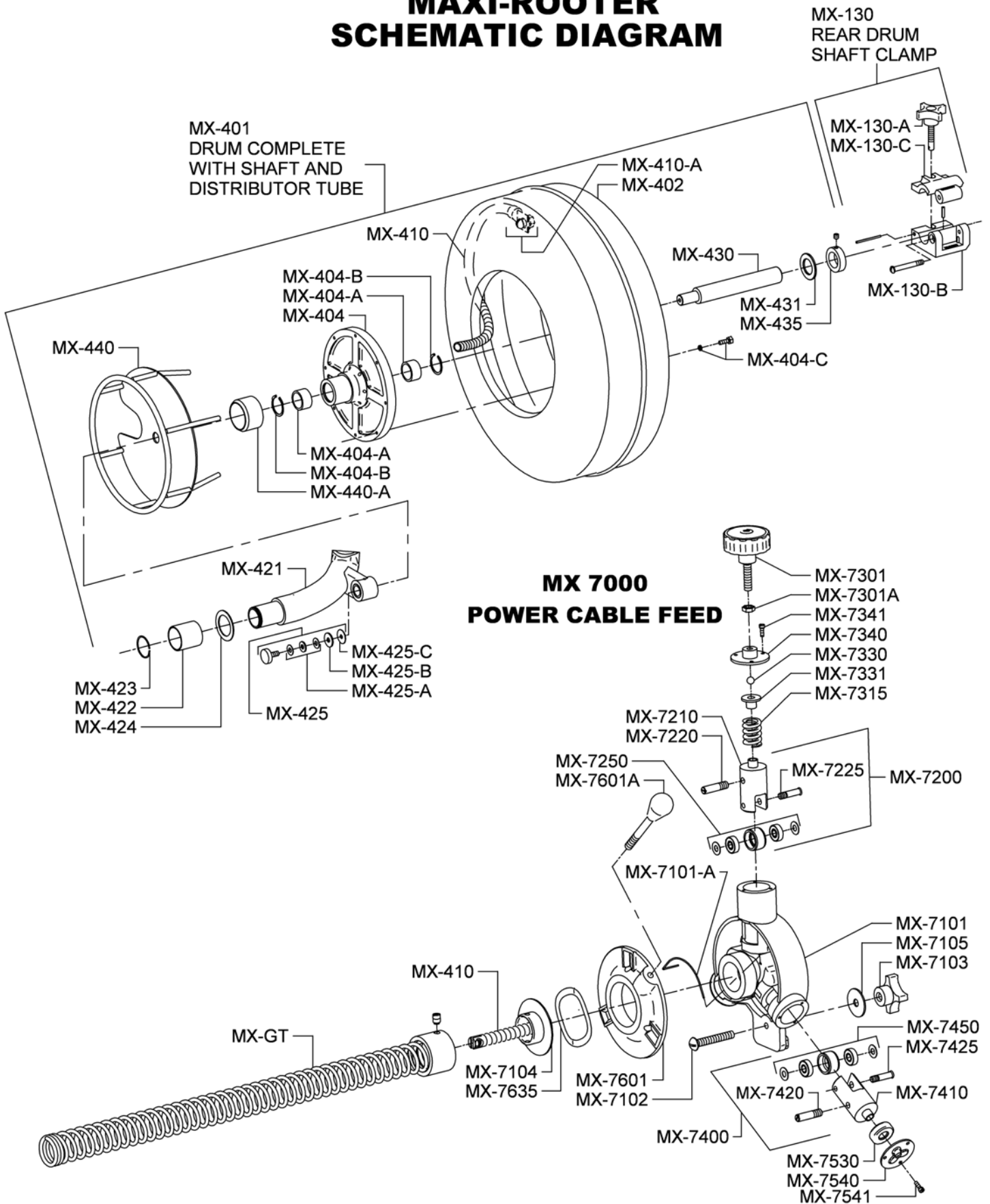


MAXI-ROOTER PARTS LIST

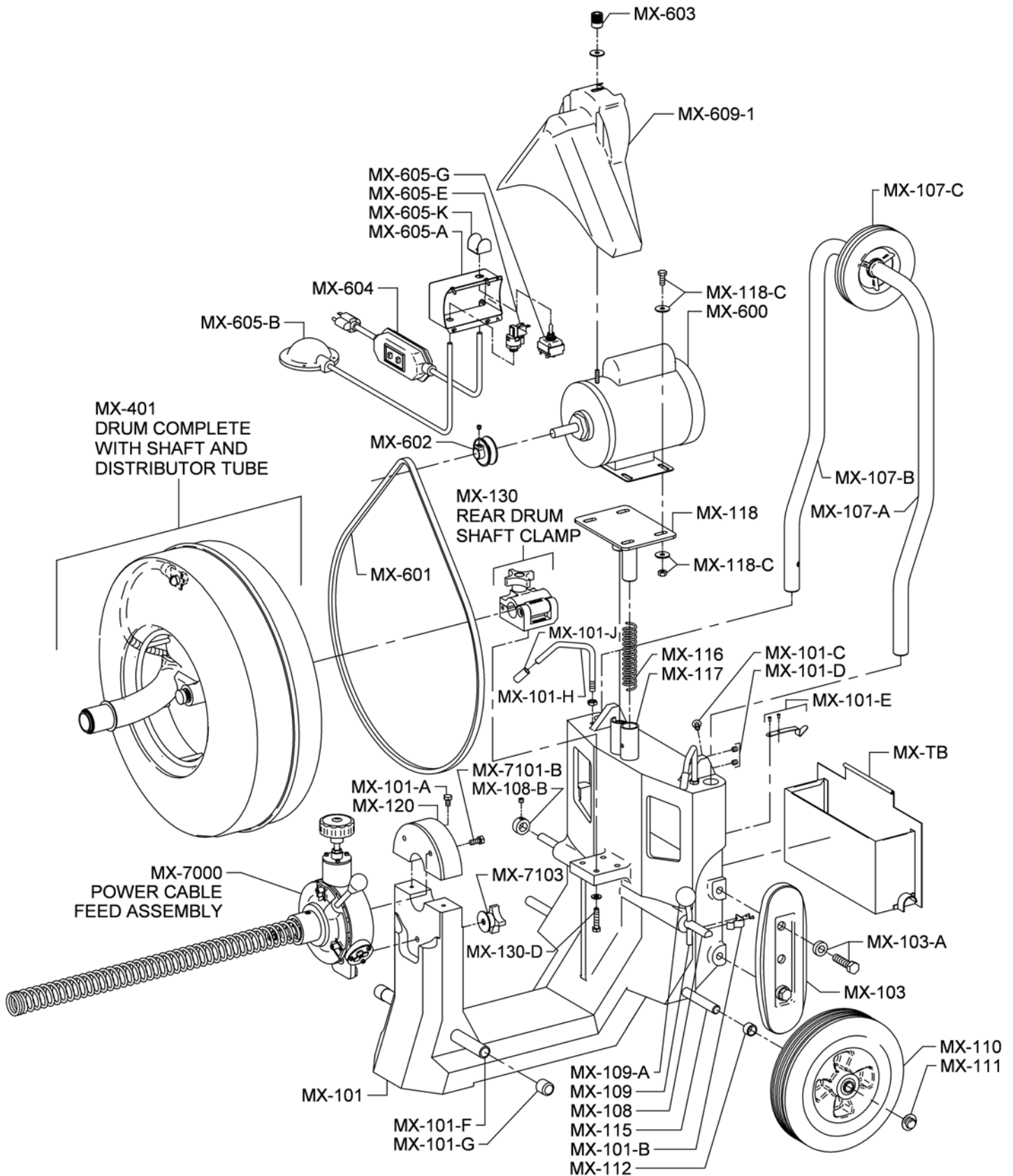
CAT. NO.	DESCRIPTION	CAT. NO.	DESCRIPTION
MX-100	Frame Complete	MX-435	Spacer Collar w/Set Screw
MX-101	Frame Only	MX-440	Inner Drum Cage
MX-101-A	Front Post Guide Bolts (2)	MX-440-A	Bushing
MX-101-B	Wheel Brake Clip & Rivets	MX-440-B	Edging
MX-101-C	Round Head Screws for Handle (2)	MX-600	3/4 hp Motor w/Air Foot Switch, Reverse Switch Assembly & Ground Fault Circuit Interrupter
MX-101-D	Set Screws for Motor Support Guide Tube (2)	MX-601	V-Belt (70")
MX-101-E	Clip & Rivets for Tool Box	MX-602	V-Belt Pulley w/Set Screw
MX-101-F	Lifting Handle Assembly	MX-603	Knob for Mounting Stud
MX-101-G	Front Lifting Handle Cap (2)	GFI-20	20' Power Cord w/Plug & GFCI
MX-101-H	Cord Wrap w/Jam Nut (2)	MX-605	Air Foot Switch & Reverse Switch Assembly
MX-101-J	Rubber Cord Wrap Tips (2)	MX-605-A	Box Only w/Cover & Screws
MX-103	Stair Climber w/Belt (1)	MX-605-B	Foot Pedal & Hose
MX-103-A	Nuts, Bolts, & Spacers for Stair Climber (4)	MX-605-C	Hose Clamp
MX-107	Handle Assembly	MX-605-D	Foot Pedal Only
MX-107-A	Handle - Left	MX-605-E	Power Switch Diaphragm
MX-107-B	Handle - Right	MX-605-F	Air Hose
MX-107-C	6" Handle Wheel	MX-605-G	Reverse Switch - 3-Way
MX-107-D	Axle for Handle Wheel	MX-605-K	Switch Guard
MX-107-E	Bushings for Handle Wheel (2)	MX-609	Belt Guard w/Velcro
MX-107-F	Felt Washers (2)	MX-609-1	Belt Guard w/Slot for Mounting Stud
MX-107-G	Set Screws (2)	MX-7000	Power Feed Assembly
MX-108	Brake Rod	MX-7101	Feed Body
MX-108-A	Roll Pin	MX-7101-A	Lifting Spring
MX-108-B	Collar w/Set Screw	MX-7101-B	Socket Head Cap Screws (2)
MX-109	Brake Rod Handle w/Knob	MX-7102	Mounting Stud
MX-109-A	Knob for Brake Rod Handle	MX-7103	Knob
MX-109-B	Roll Pin	MX-7104	Spout & Retaining Cover
MX-110	10" Heavy Duty Wheel w/Retaining Cap (1)	MX-7105	Fender Washer
MX-111	Wheel Retaining Cap (2)	MX-7200	Top Roller Assembly
MX-112	Wheel Spacers (2)	MX-7210	Top Carrier Only
MX-115	Axle	MX-7220	Swing Pin
MX-116	Motor Support Spring	MX-7225	Feed Roller Shaft
MX-117	Motor Support Guide Tube	MX-7250	Feed Roller w/Bearing
MX-118	Motor Support Bracket	MX-7301	Feed Pressure Knob
MX-118-C	Nuts, Bolts, & Washers (4)	MX-7301-A	Limiting Nut
MX-120	Front Post Cap	MX-7315	Pressure Spring
MX-130	Rear Drum Shaft Clamp	MX-7330	Ball Bearing
MX-130-A	Drum Clamp Knob	MX-7331	Ball Bearing Holder
MX-130-D	Mounting Bolts & Washers (4)	MX-7340	Top Cover
MX-401	Drum Complete w/Shaft & Distributor Tube	MX-7341	Cover Screws & Washers (3)
MX-402	Drum Shell	MX-7400	Bottom Roller Assembly
MX-404	Drum Hub w/Bearings	MX-7410	Bottom Carrier Only
MX-404-A	Bearings (2)	MX-7420	Swing Pin
MX-404-B	Retaining Rings (2)	MX-7425	Bottom Roller Shaft
MX-404-C	Bolts & Washers (12)	MX-7450	Bottom Roller w/Bearing
MX-410	Drum Connecting Cable	MX-7530	Thrust Bearing
MX-410-A	Nut, Bolt, & Washer	MX-7540	Cable Adjustment Plate
MX-420	Distributor Tube Assembly	MX-7541	Plate Screws & Washers (3)
MX-421	Distributor Tube Only	MX-7601	Feed Control Disc w/Lever & Knob
MX-422	Bushing	MX-7601-A	Lever & Knob
MX-423	Retaining Ring	MX-7635	Wave Washer
MX-424	Thrust Bearing Race	PO-703	Set of Feed Rollers (3)
MX-425	Distributor Tube Retaining Knob w/Bearing Assy.	MX-TB	Tool Box
MX-425-A	Bearing Assembly for Retaining Knob	MX-GT	Maxi-Rooter Guide Tube
MX-425-B	Fender Washer	GTE	Guide Tube Extension
MX-425-C	Fiber Washer	MX-DECAL	Set of Safety Decals
MX-430	Drum Shaft		
MX-431	Wear Washer		

MAXI-ROOTER SCHEMATIC DIAGRAM



IMPORTANT: When ordering, give Serial Number of Machine.

MAXI-ROOTER SCHEMATIC DIAGRAM



IMPORTANT: When ordering, give Serial Number of Machine.